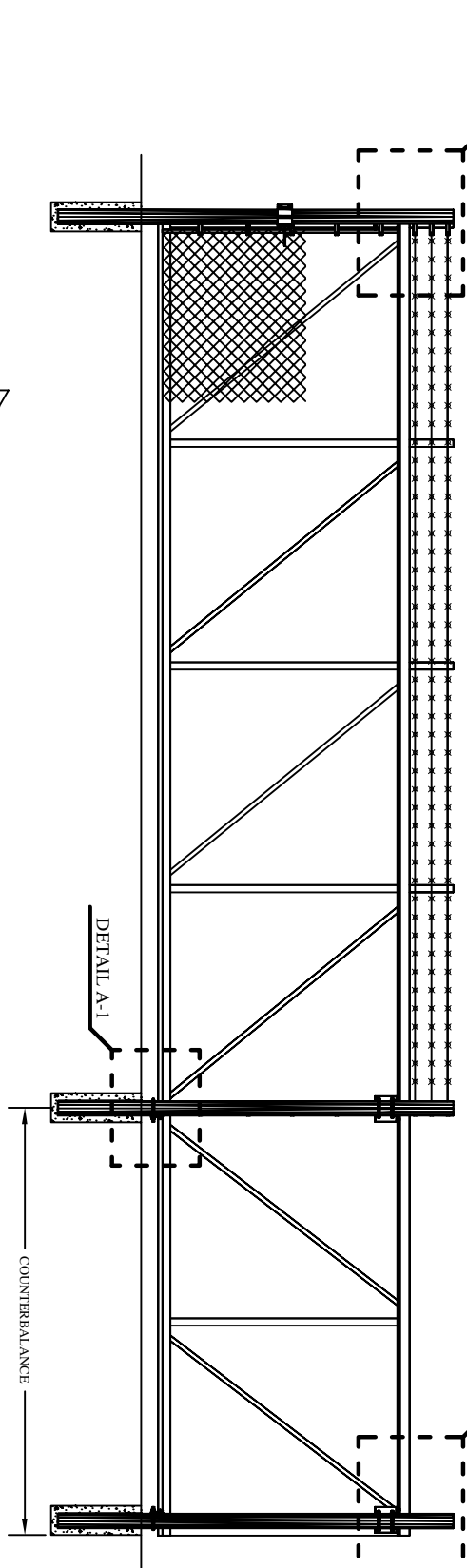


OVERALL ELEVATION PLAN

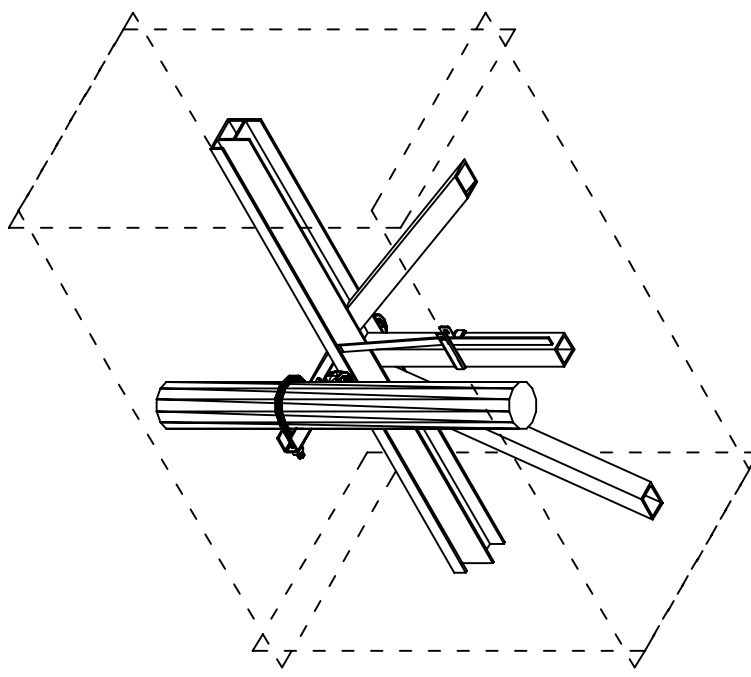
1. Scale - N.T.S.



DRAWING NO:

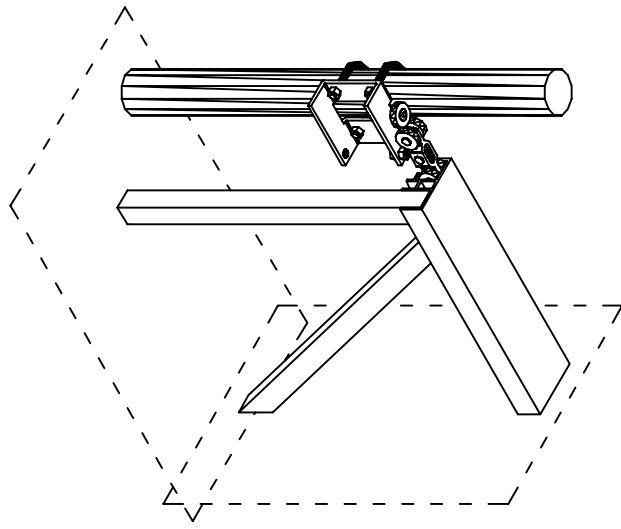
DETAIL A-1: BOTTOM ROLLER ASSEMBLY

1. Diagram shown in South-West Isometric View.
2. Scale - 3/4" = 1'-0"



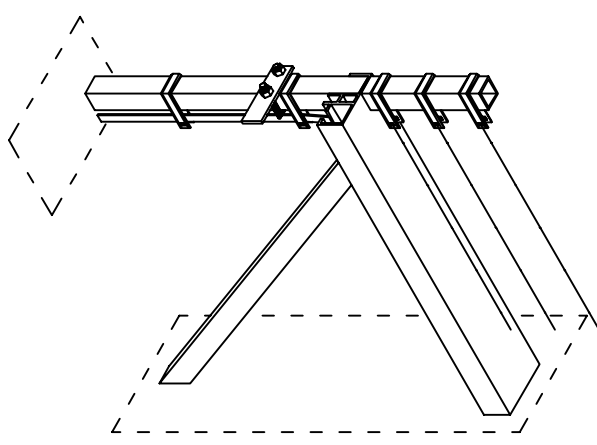
DETAIL A-2: TRUCK ASSEMBLY

1. Diagram shown in North-East Isometric View.
2. Top-Track shown off truck assembly for demonstration.
3. Scale - 3/4" = 1'-0"



DETAIL A-3: TOP-TRACK ASSEMBLY

1. Diagram shown in South-West Isometric View.
2. Scale - 3/4" = 1'-0"



Single-Track Aluminum Slide Gate
Elevation Details

DATE: 10-07-2005
SCALE: VAR
DRAWN BY: MIL
APPROVED BY: JMP
REV: 1

